

0305-006-004

SWINDY 3



### Product description

SWINDY 3 blends natural warm robinia wood with durable steel, offering an elegant bird's nest swing for urban play areas.

Welcoming kids of all ages, SWINDY 3 is a social hub for children to engage in shared play, fostering interaction and teamwork. Children can sit, stand, lie down, or jump off, exercising various muscle groups, training balance, coordination, and spatial awareness.

Simple, elegant, and inviting, SWINDY 3 enriches any city playground, adding value through design and function.

### Certificates



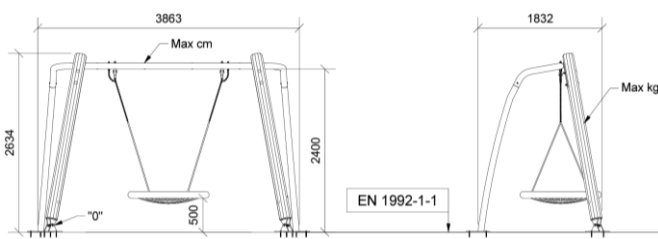
### Key play functions

Swing  
Jump  
Socialize

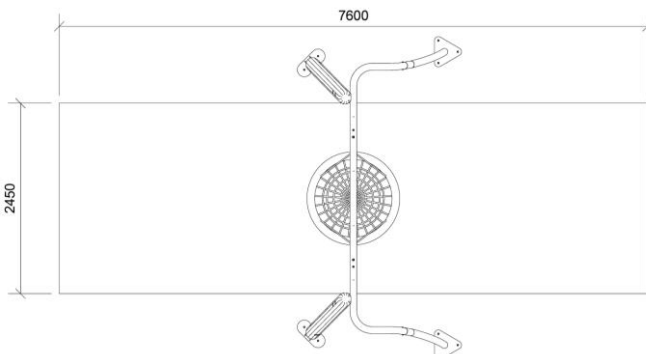
Go to product



### Dimensions (cm)



### Minimum size (cm)



Fall height	1,4 m
Buffer area	19 m <sup>2</sup>
Minimum space	7,8 x 3,9 x 2,65 m
Age	3+
Number of users	4
Primary materials	Robinia wood, Stainless steel, Taifun rope
Colors	Uncolored

### Installation specifications

Assembly time	3 hours
Number of installers	2
Installation options	Surface mounting
Concrete needed	m <sup>3</sup>
Largest part	45 x 70 x 342 cm
Heaviest part	65 kg