



### Product description

CLIMBY 9 brings elegant and simple design to urban spaces, providing a dynamic climbing challenge for children. Its combination of natural robinia wood, steel, and sturdy ropes offer a fun play experience in urban environments.

Climbing options include Rope Ladder, Beam Ladder, Circular Vertical Climbing Net, and Hanging Pole Steps, which invite children to explore new heights. The openness of CLIMBY 9 encourages social interaction with spaces for kids to climb, hang out, and collaborate. It challenges children's balance, strength, and coordination.

Perfect for playgrounds in the city, CLIMBY 9 is a modern twist on traditional play equipment, adding value through design and function.

### Certificates



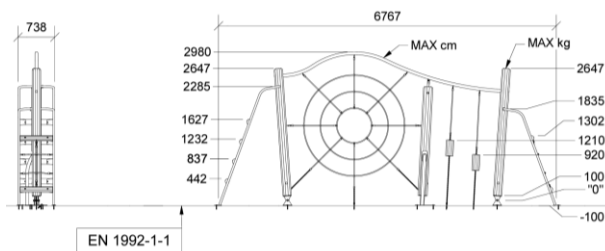
### Key play functions

Climb  
Balance  
Pull  
Jump  
Socialize

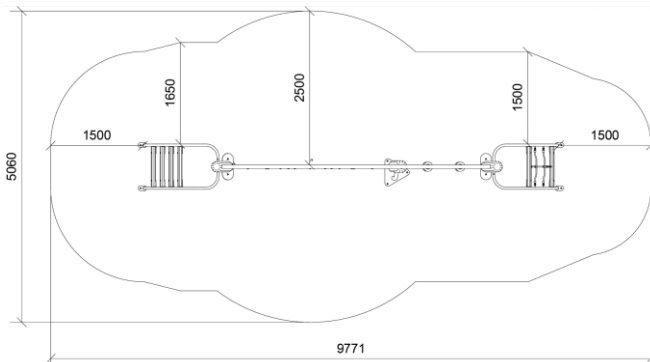
Go to product



### Dimensions (cm)



### Minimum size (cm)



Fall height	3 m
Buffer area	39 m <sup>2</sup>
Minimum space	9,7 x 5 x 3 m
Age	5+
Number of users	6
Primary materials	Robinia wood, Stainless steel, Taifun rope
Colors	Uncolored

### Installation specifications

Assembly time	10 hours
Number of installers	2
Installation options	Surface mounting
Concrete needed	m <sup>3</sup>
Largest part	6 x 62 x 445 cm
Heaviest part	76 kg