



Product description

STRENGTHY is an asymmetric overhead ladder, also known as monkey bars, in a sleek and modern design that fits seamlessly into urban play spaces.

Children can challenge themselves by climbing up from the Step Pad or using the Step Bar in the post support to catch a bar above and navigate up or down the ladder. This activity demands strength and coordination while exercising shoulders, back, arms, core, and grip. It is a way for children to build their agility and muscle strength as well as interacting, offering support, and learning to wait for their turn.

The simple and elegant look of this equipment makes it a perfect addition to any modern outdoor area where kids gather for active fun.

Certificates



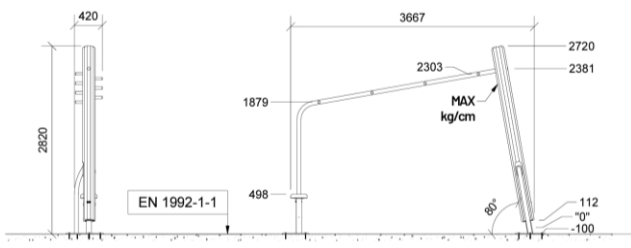
Key play functions

Pull
Swing
Jump
Socialize

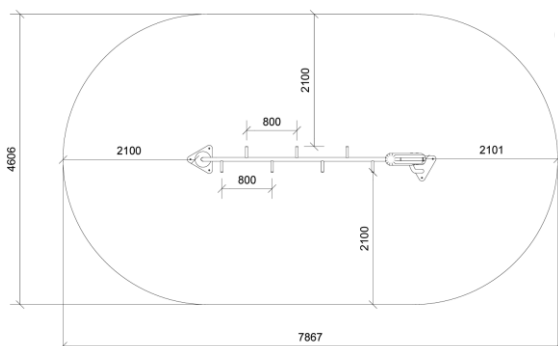
Go to product



Dimensions (cm)



Minimum size (cm)



Fall height	2,4 m
Buffer area	31 m ²
Minimum space	7,9 x 4,5 x 2,8 m
Age	5+
Number of users	2
Primary materials	Robinia wood, Stainless steel, Rubber
Colors	Uncolored

Installation specifications

Assembly time	4,5 hours
Number of installers	2
Installation options	Surface mounting
Concrete needed	m ³
Largest part	85 x 300 cm
Heaviest part	100 kg