



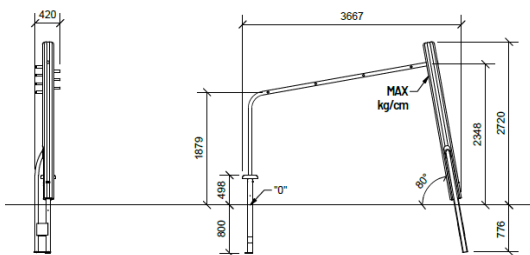
Product description

STRENGTHY is an asymmetric overhead ladder, also known as monkey bars, in a sleek and modern design that fits seamlessly into urban play spaces.

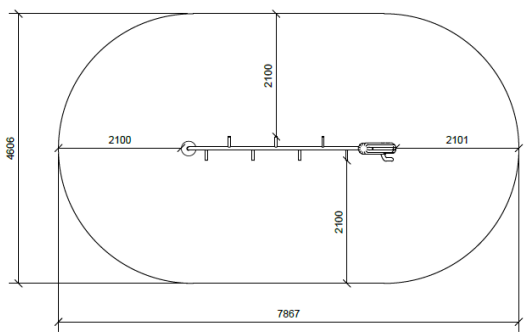
Children can challenge themselves by climbing up from the Step Pad or using the Step Bar in the post support to catch a bar above and navigate up or down the ladder. This activity demands strength and coordination while exercising shoulders, back, arms, core, and grip. It is a way for children to build their agility and muscle strength as well as interacting, offering support, and learning to wait for their turn.

The simple and elegant look of this equipment makes it a perfect addition to any modern outdoor area where kids gather for active fun.

Dimensions (cm)



Minimum size (cm)



Certificates



Key play functions

Pull
Swing
Jump
Socialize

Go to product



| | |
|-------------------|---------------------------------------|
| Fall height | 2,4 m |
| Buffer area | 31 m ² |
| Minimum space | 7,9 x 4,5 x 2,8 m |
| Age | 5+ |
| Number of users | 2 |
| Primary materials | Robinia wood, Stainless steel, Rubber |
| Colors | Uncolored |

Installation specifications

| | |
|----------------------|---------------------|
| Assembly time | 4,5 hours |
| Number of installers | 2 |
| Installation options | Cast-in anchors |
| Concrete needed | 0,08 m ³ |
| Largest part | 33 x 360 cm |
| Heaviest part | 100 kg |